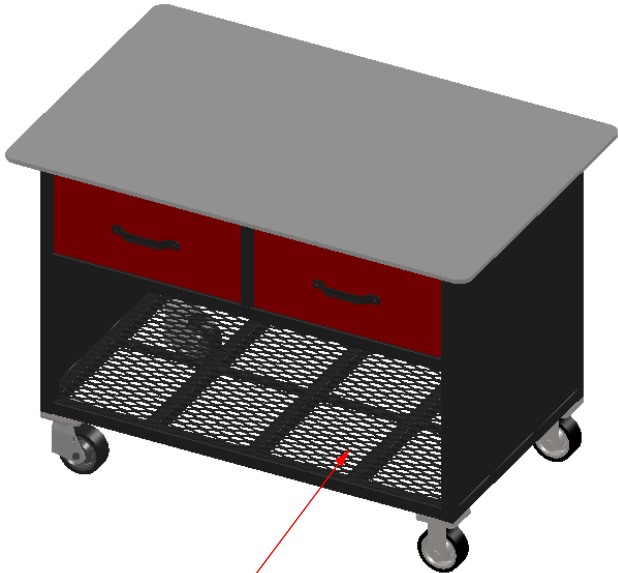
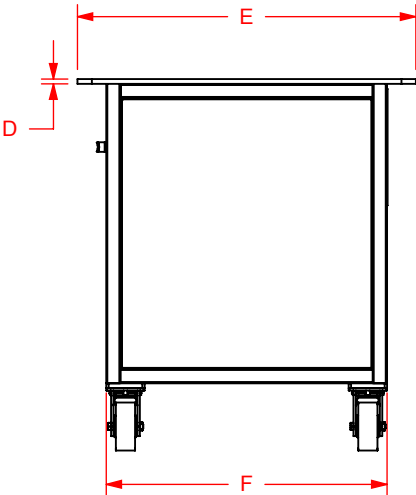
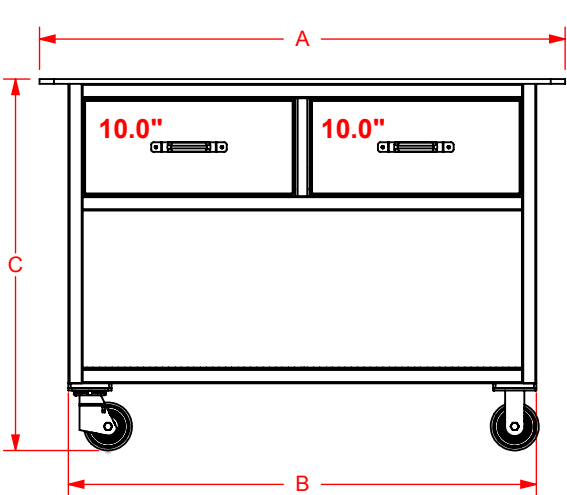


WELDING BENCH SPECIFICATION



EXPANDED METAL SHELF

WELDING BENCH SIZE CHART						
DIMENSIONS	A	B	C	D	E	F
4' BENCH	54.75"	48.75"	38.75"	.500"	35.25"	29.25"
6' BENCH	80.375"	72.375"	38.75"	.500"	35.25"	29.25"